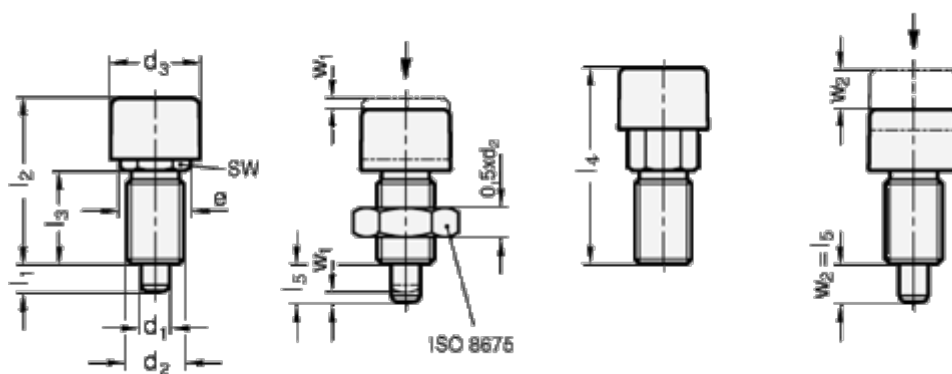


Article number: 201147002

Description: E+G Locking plunger GN514-6-A  
M12x1,5

## Measures



d1 = 6	l5	= 9
d2 = M12x1,5	NV	= 13
d3 = 19	Spring load end N	= 30
e = 15	Spring load initial N	= 20
l1 = 6	w1	= 3
l2 = 38	w2	= 9
l3 = 20		
l4 = 44.5		